



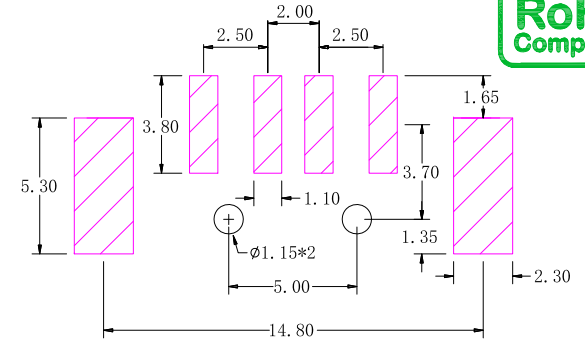
SUA-110M15-x-x-S175

鍍層厚度:

Blank : 1u"
2 : 15u"
3 : 30u"

COLOR :

Black : B
White : W
Blue : BL



PCB LAYOUT MOUNTING PATTERN

SPECIFICATIONS

Electrical:

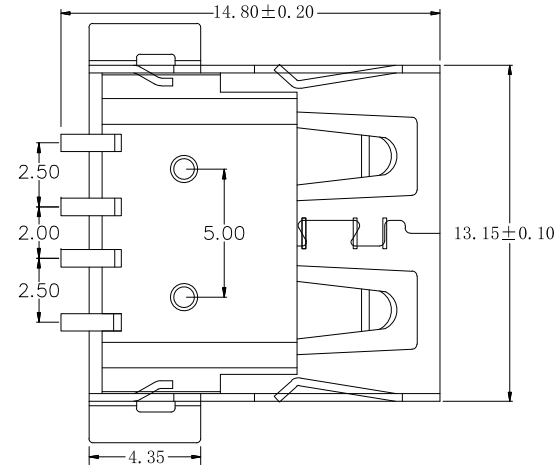
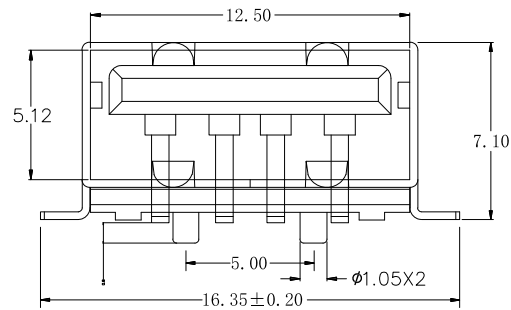
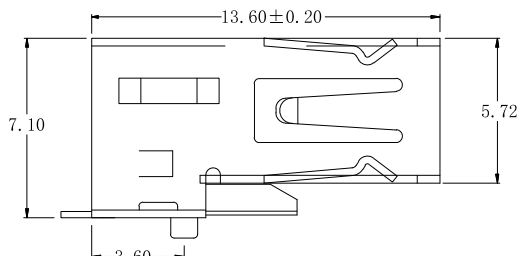
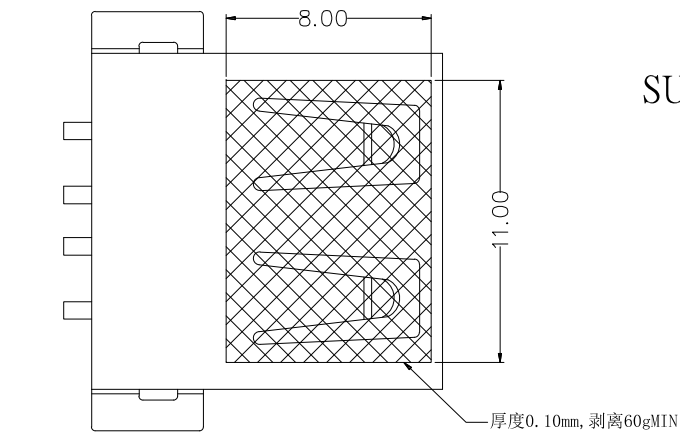
- 1.Current Rating: 1.5A / contact terminal
- 2.Voltage Rating: 30V DC
- 3.Contact Resistance: 30 mΩ Max
- 4.Dielectric Withstanding Voltage: 500 V AC AT Sec Level
- 5.Insulation Resistance: 1000 MΩ Min

Material:

- 1.Housing: LCP , Black
- 2.Contact: BRASS
- 3.Shell: BRASS

Finish:

- 1.Contact: Plated Gold in Mating Area ;
Tin Plated on Solder Balls
Nickel under plated overall
- 2.Shell: Nickel under Plated surface layer



4	更新圖面	Jack	090823
3	新增平整度標示	Jack	033021
2	更新材質	Jack	060917
1	更新鍍層及材質	Jack	032014
ITEM NO.	DESCRIPTION	DRAWN	DATE

CONTACT 建倚科技股份有限公司
CONTACT TECHNOLOGY CORP.

TOLERANCE UNLESS OTHERWISE STATED :

Up to 5	±0.2
Above 5 ~ 15	±0.3
Above 15 ~ 30	±0.4
Above 30 ~ 50	±0.5
Angle	±0.3

3RD. ANGEL'S

UNITS MM

DRAWN BY:	DATE	MAT'L	TITLE	CONNECTOR
Jack Lu	09/08/23		MODLE	USB AF SMT 平口 1.0柱
CHECKED BY:	DATE	SCALE	DWG NO.	SUA-110M15-x-x-S175
Jacky Chen	09/08/23	1 : 1	PART NO.	SUA-110M15-x-x-S175
APPROVED BY:	DATE	SHEET NO.	1 of 1	
Tony Kao	09/08/23			